



# ASTRA

Spray booths • Welding • Benches • Lifts

# RAPID "QUICK PULL" BENCH



The **RAPID** is a 2.5 tonne quick pull bench to enable fast repairs, with twin electro-hydraulic lifting rams and a 10 tonne puller. It can be used in conjunction with a computer measuring system.



## KEY BENEFITS:

- Maximum working height of 1.65metres
- Compact design - with a minimum height of 120mm
- 2.5 tonne Lift - with twin electro-hydraulic lifting rams
- 3 metres Long bench
- 10 tonne Puller - with a smooth and accurate rotation through 180°
- Double sill clamp safety device
- Robust design

*This will significantly improve your productivity!!*

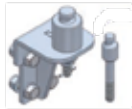
Call us on **01327 300700** for more information  
visit [www.bodyshopsolutionsltd.com](http://www.bodyshopsolutionsltd.com) or email [info@bodyshopsolutionsltd.com](mailto:info@bodyshopsolutionsltd.com)

## RAPID AB100 BASIC SET

RAA100	3 metres Long bench
SBA200	10 tonne Pulling arm with foot pump
SBA300	4 x Anchoring sill-clamps & arms
SBA400	4 x Lifting pads
SBA600	1 x Control box 380V for electro-hydraulic lift
SP0910	4 x Wheel stands

## OPTIONAL ACCESSORIES

SP1500	Universal clamps
SP1410	Convertible ramps
SP0800	BMW/MERCEDES Anchoring kit
SP0600	Side Down Pulley



SP1500



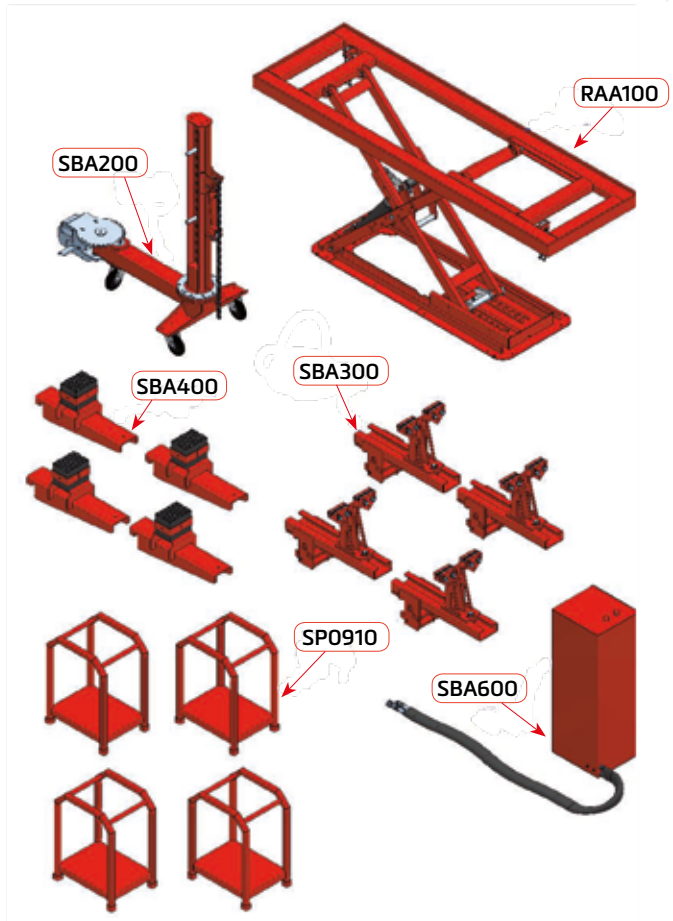
SP1410



SP0800



SP0600



## TECHNICAL FEATURES



300cm



94cm



12cm



130/165cm



2.500kg



10t

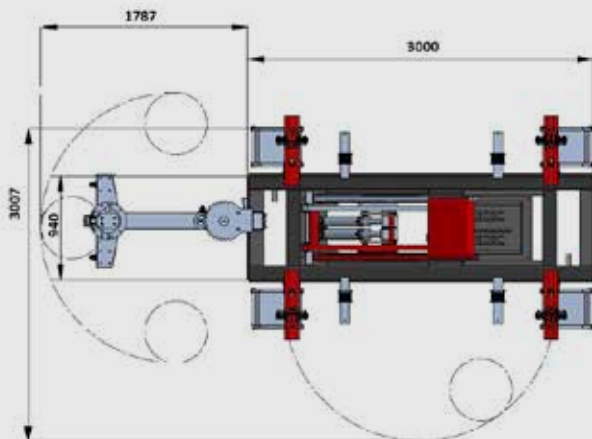


950kg



300x100x120cm

## TECHNICAL DATA



Call us on **01327 300700** for more information  
visit [www.bodyshopsolutionsltd.com](http://www.bodyshopsolutionsltd.com) or email [info@bodyshopsolutionsltd.com](mailto:info@bodyshopsolutionsltd.com)

