



INVERSPOTTER 14000 SMART AQUA
cod. 823350

INVERSPOTTER 14000 SMART AQUA

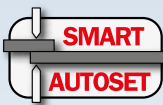
15000A • 580 daN

• Detects Multiple Layers



Working mode

• Smart Auto • Easy • Manual



• Detects Metal Thickness

• Detects Metal Type



• Clamping Force Control

• Well Balanced & User-friendly

• 5m Cable



• Store Your Welding Data

• Upload Repair Report

• Print Your Repair Report

Telwin's products are approved by:

Mercedes Benz



HONDA



NISSAN





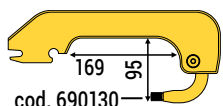
FIAT

IVECO

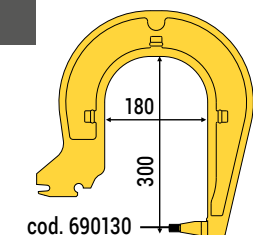
Arms

Electrodes

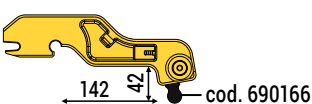
-  1 standard
cod. 690130
-  2 optional
cod. 690132



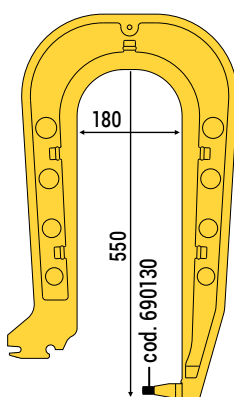
cod. 690130
CA2 cod. 803170



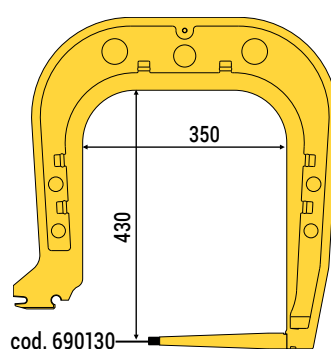
cod. 690130
CA3 cod. 803171



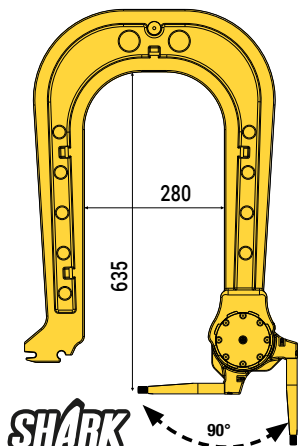
CA5 cod. 803181



cod. 690130
CA4 cod. 803172



cod. 690130
CA6 cod. 803187



SHARK cod. 803189

STARTER STATIONS



STEEL
STEEL STARTER STATION
cod. 804902

ALUMINIUM
ALU STARTER STATION
cod. 802853

PULLER STATIONS



STEEL
STEEL STATION
cod. 802850

STEEL
STEEL STATION DELUXE
cod. 804901



ALUMINIUM
ALU STATION DELUXE
cod. 804905



ALUMINIUM
STEEL
COMBO ALU & STEEL
cod. 802851



ALUMINIUM
STEEL
COMBO ALU & STEEL DELUXE
cod. 804904

DIGITAL PULLER 5500 DUO



AUTOMATIC
MANUAL
• 230V 1ph / 3800 Amax
• 2 guns always ready to operate: one automatic and one manual
cod. 828125
STEEL DENT PULLER

DUO ACCESSORY KIT cod. 804900



RINGVOLVER
cod. 804023
50 pcs flat hook washers included

QUICK HAMMERS KIT
cod. 804024
1 - cod. 742700 Tempering
2 - cod. 742701 Wavy wires
3 - cod. 742702 Rings
4 - cod. 742703 Mini slide hammer

QUICK CONNECTION CABLE
cod. 804027

ALUSPOTTER 6100



ALUSPOTTER 6100
• 115/230V 1ph
• M3-M8
cod. 823049

TECHNOLOGY PLASMA 41



Plasma cutting system ready to use!
TECHNOLOGY PLASMA 41
230V 1ph • 35A
Max cutting thickness 12mm cod. 815493

	STEEL STARTER STATION cod. 804902	ALU STARTER STATION cod. 802853	STEEL STATION cod. 802850	STEEL STATION DELUXE cod. 804901	ALU STATION DELUXE cod. 804905	COMBO ALU & STEEL cod. 802851	COMBO ALU & STEEL DELUXE cod. 804904
AMERICA TROLLEY COD. 803074	W	W					
PULLER STATION COD. 803095			W	W	W	W	W
KIT MULTILEVER cod. 802442	W		W	W		W	W
PULLING LEVER KIT cod. 804022	W						
TRACTION BAR cod. 802657				W		W	W
PULLING BAR cod. 802433			W	W	W		W
COMPACT PULLER cod. 802599		W			W	W	W
LONG BAR KIT (1,5M) cod. 802815				W			W
PULL SYSTEM cod. 804025			W	W		W	
MULTIHOOKS cod. 802691 (8 PINS)			W	W		W	W
MULTIHOOKS cod. 802692 (6 PINS)			W	W	W	W	W
DENT PULLING BOX cod. 802690	W		W	W		W	W
ADJUSTABLE FILE HOLDER + BODYBLADE 9TPI cod. 804067					W		W
ALUMINIUM HAMMERS KIT cod. 804065					W		W
HEAT GUN cod. 804096					W		W
RUBBERIZED DOLLY SET KIT cod. 804063					W		W
SUGGESTED GENERATOR (NOT INCLUDED)							
ALUSPOTTER 6100		W			W	W	W
DIGITAL PULLER 5500 DUO	W		W	W		W	W

PROFESSIONAL WELDING HELMETS



VISION 180 Cod. 804097
2 YEARS WARRANTY

VANTAGE GREY XXL Cod. 802937
2 YEARS WARRANTY

VANTAGE RED XL Cod. 802936
2 YEARS WARRANTY

STREAM FLAME Cod. 802816

inverter

MULTIPROCESS
MIG - MMA - TIG

ONE TOUCH
LCD SYNERGY

Synergy
MIG

Advanced
ATC
Thermal Control

TIG LIFT



TECHNOMIG 223 TREO SYNERGIC

> complete with 2 MIG torches
+ 1 Spool Gun M6



MT15 (RED)
3m cod. 742650



MT15 (BLU)
3m cod. 742660



SPOOL GUN M6
cod. 802407

> 3 torches and 3 materials always
ready to operate

ONE TOUCH
LCD SYNERGY

Synergy
MIG

Advanced
ATC
Thermal Control

> multiprocess GMAW/GTAW/SMAW

TECHNOMIG 223 TREO SYNERGIC + SPOOL GUN M6

- 230V 1ph / 20-220 A
- Ø wire 0,6-1,2mm
cod. 816120

TECHNOMIG 243 WAVE

> 3 torches always ready to use:



MT15 (RED)
3m cod. 742650



MT15 (BLU)
3m cod. 742660



MT25 (GRAY)
3m cod. 742708

> AB PULSE & AB POP

4B PULSE **4B POP**

Excellent results on aluminium
and galvanized sheets!

Aluminium wire up to 1,2mm

> User friendly interface with tft colour screen



Easy Mode



Expert Mode

The Wave OS control panel allows to weld in pulse aluminium
by easily setting sheet's thickness.

> multiprocess GMAW/GTAW/SMAW

TECHNOMIG 243 WAVE

- 230V 1ph / 20-220 A • Ø wire 0,6-1,2mm
cod. 816066



inverter

MULTIPROCESS
MIG - MMA - TIG

Wave OS

Active Synergy
MIG

4B PULSE

4B POP

Advanced
ATC
Thermal Control

TIG LIFT

USB

Smart Power

Smart Protection

Smart Activation

SMART INDUCTOR 5000 CLASSIC



Induction heating system

An intelligent solution for speeding up and simplifying the removal of glued or blocked parts as well to facilitate the repair of hail dents.



**QUICK & EASY
SMART
AUTOMATIC**

SMART INDUCTOR 5000 CLASSIC
• 200-240V • 2,4 kW Pmax
cod. 865011

> Facilitates the repair of hail dents

It works on hail dents without removing the paint.



WONDER PEN II
cod. 801420

ON/OFF PUSH BUTTON



NEW

Startzilla 2012 12v
• Max Starting Current
2500 Amps



NEW

Startzilla 2034 12/24v
• Max Starting Current
3000 Amps

12V 24V

STARTZILLA



START

> **Safe to Use** - fitted with protections



ICE START

> **Will work down to -20°C**



TEST

> **Tests** - checks Voltage at Terminals, Starting Capacity (CCA) and Alternator



POWER BANK

> **Power Bank: USB**



LED LIGHT

> **High intensity LED lamps**

01327 300700

web: www.bodyshopsolutionsltd.com
email: info@bodyshopsolutionsltd.com

@BSHOPSOLUTIONS

bodyshopsolutions

Bodyshop Solutions
Unit 9 Stephenson Close,
Daventry NN11 8RF