



AIR SUCTION DENT PULLER

MODEL NO: RE101.V3

Thank you for purchasing a Sealey product. Manufactured to a high standard, this product will, if used according to these instructions, and properly maintained, give you years of trouble free performance.

IMPORTANT: PLEASE READ THESE INSTRUCTIONS CAREFULLY. NOTE THE SAFE OPERATIONAL REQUIREMENTS, WARNINGS & CAUTIONS. USE THE PRODUCT CORRECTLY AND WITH CARE FOR THE PURPOSE FOR WHICH IT IS INTENDED. FAILURE TO DO SO MAY CAUSE DAMAGE AND/OR PERSONAL INJURY AND WILL INVALIDATE THE WARRANTY. KEEP THESE INSTRUCTIONS SAFE FOR FUTURE USE.



Refer to instructions



Wear eye protection



Wear protective gloves



Wear safety footwear



Wear protective clothing

1. SAFETY

- WARNING!** Ensure Health & Safety, local authority and general workshop practice regulations are adhered to when using this equipment.
- WARNING!** Disconnect from the air supply before changing the suction cups, servicing or performing any maintenance.
- ✓ Maintain the puller in good condition (use an authorised service agent). Before each use check condition of tool. If any component is worn or damaged, replace immediately. Use genuine parts only. Unauthorised parts may be dangerous and will invalidate the warranty.
- ✗ **DO NOT** operate the puller if any parts are damaged or missing as this may cause failure and/or personal injury.
- ✓ Use in a suitable work area. Keep area free from unrelated materials and ensure that there is adequate lighting.
- WARNING!** Always wear approved eye (or face) and hand protection when operating the puller.
- ✓ Remove ill fitting clothing, ties, watches, rings, other loose jewellery and contain and/or tie back long hair.
- ✓ Keep air hose away from heat, oil and sharp edges. Check air hose for wear before each use and ensure that all connections are secure.
- WARNING!** Ensure correct air pressure is maintained and not exceeded. Working pressure is 90psi.
- ✗ **DO NOT** attempt to attach the suction cup to a person as severe bruising and/or damage to internal organs can occur.
- ✗ **DO NOT** place air line attachments close to your face and **DO NOT** point at other people or animals.
- ✗ **DO NOT** direct air from the air line at yourself or others.
- ✗ **DO NOT** carry the puller by the hose, or yank the hose from the air supply.
- ✓ Maintain correct balance and footing. **DO NOT** over reach, ensure the floor is not slippery, wear non-slip footwear.
- ✓ Keep children and unauthorised persons away from the working area.
- ✓ Ensure workpiece is secure before operating the puller.
- ✗ **DO NOT** operate the puller when you are tired or under the influence of alcohol, drugs or intoxicating medication.
- ✗ **DO NOT** clean the suction cups with solvents or other harsh chemicals.
- ✗ **DO NOT** use the puller for any purpose other than that for which it is designed.
- ✓ When not in use disconnect from air supply, return parts to the case, and store it in a safe, dry, childproof location.

2. INTRODUCTION

Air activated suction pad keeps firm hold of panel while slide hammer is used to ease out dents and depressions without damage to the paint surface. Ideal for initial panel reshaping. Supplied with Ø75, 100 and 125mm suction pads and hook.

3. SPECIFICATION

Model No: RE101
 Hook Length:..... 90mm
 Nett Weight: 4.29kg
 Overall Length:..... 590mm
 Recommended Air Pressure: 72.5-116psi
 Suction Pads:..... Ø75, 100, 125mm
 Working Pressure:..... 90psi

4. OPERATION

- 4.1. Ensure that the panel to be worked on is dry, clean and free of grease.
- 4.2. Select the appropriate size suction cup and screw it onto the slide hammer and remove the protective cover from the cup.
- 4.3. Ensure the valve is in the 'Off' position (90° to handle). Connect the slide hammer to an air line with a suitable rated supply pressure - between 72psi and 116psi (working pressure is 90psi).
- 4.4. Position the suction cup over the dent and press it gently onto the body panel.
- 4.5. Open the air valve, the suction cup will form a vacuum, firmly attaching it to the body panel.
- 4.6. Using the slide hammer, pull the dent out. **DO NOT** apply excessive force to the slide hammer.
- 4.7. When finished, turn the air valve off and remove the puller from the body panel.

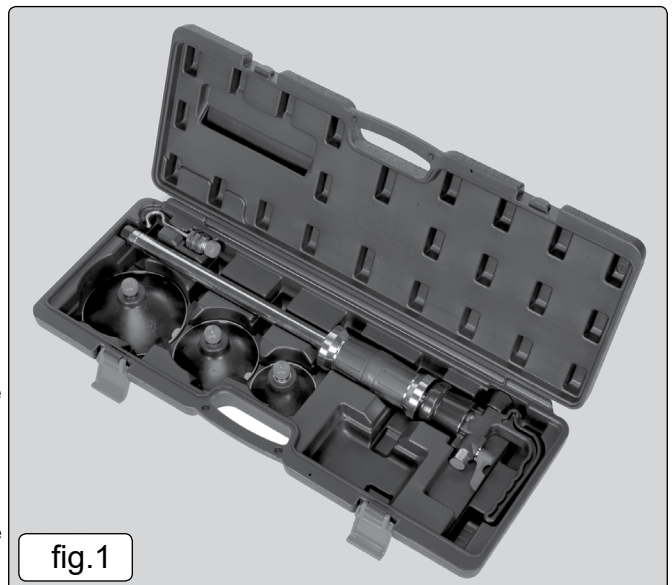
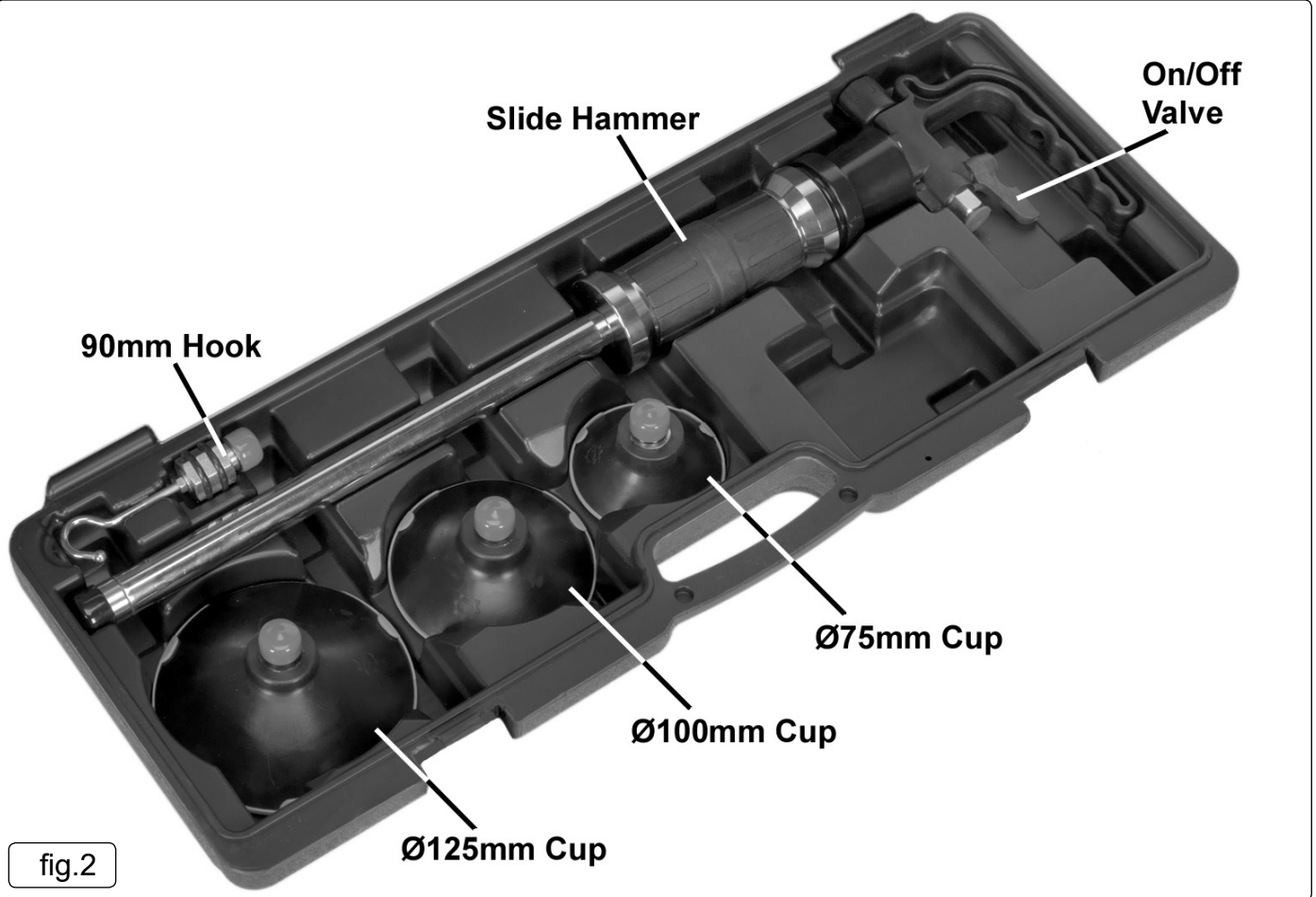


fig.1

- 4.8. Disconnect from the air supply, remove the suction cup from the puller and refit the protective cover. Place all parts back in the case and store it in a safe, dry, childproof location.
- 4.9. Alternatively, weld a wavy wire strip to the panel, then use the hook in conjunction with the sliding hammer to pull out a dent.



5. MAINTENANCE

- 5.1. Check condition of the suction cups regularly, if damaged, replace them using genuine parts only.
- 5.2. Always keep the suction cups clean and free of oil and grease. Clean them regularly with a non-aggressive cleaner.
- 5.3. In order to preserve elasticity, **DO NOT** expose suction cups to sunlight over an extended period of time.
- 5.4. Keep the tool in a clean, serviceable condition, using a slightly dampened cloth to clean it.



ENVIRONMENT PROTECTION

Recycle unwanted materials instead of disposing of them as waste. All tools, accessories and packaging should be sorted, taken to a recycling centre and disposed of in a manner which is compatible with the environment. When the product becomes completely unserviceable and requires disposal, drain any fluids (if applicable) into approved containers and dispose of the product and fluids according to local regulations.

Note: It is our policy to continually improve products and as such we reserve the right to alter data, specifications and component parts without prior notice.

Important: No Liability is accepted for incorrect use of this product.

Warranty: Guarantee is 12 months from purchase date, proof of which is required for any claim.

Sealey Group, Kempson Way, Suffolk Business Park, Bury St Edmunds, Suffolk. IP32 7AR



01284 757500



01284 703534



sales@sealey.co.uk



www.sealey.co.uk