



MOBILE ENGINE REPAIR BENCH

MODEL NO: **AP1200MW.V2**

Thank you for purchasing a Sealey product. Manufactured to a high standard, this product will, if used according to these instructions, and properly maintained, give you years of trouble free performance.

IMPORTANT: PLEASE READ THESE INSTRUCTIONS CAREFULLY. NOTE THE SAFE OPERATIONAL REQUIREMENTS, WARNINGS & CAUTIONS. USE THE PRODUCT CORRECTLY AND WITH CARE FOR THE PURPOSE FOR WHICH IT IS INTENDED. FAILURE TO DO SO MAY CAUSE DAMAGE AND/OR PERSONAL INJURY AND WILL INVALIDATE THE WARRANTY. KEEP THESE INSTRUCTIONS SAFE FOR FUTURE USE.



Refer to instruction manual

1. SAFETY

- 1.1. **GENERAL SAFETY**
- WARNING!** Ensure Health & Safety, local authority, and general workshop practice regulations are adhered to when using this trolley.
 - ✓ Always load evenly with the centre of gravity of the load as near centre of the trolley as possible.
 - ✗ **DO NOT** overload the trolley - see Specifications - section 3.
 - ✓ Use the trolley in a suitable work area.
 - ✓ Keep the work area clean, uncluttered and ensure there is adequate lighting.
 - ✓ Keep the trolley clean and tidy in accordance with good workshop practice.
 - ✗ **DO NOT** use the trolley for any purpose other than that for which it is designed.
 - ✗ **DO NOT** stand on the trolley, use it as a ladder or allow others to ride on the trolley.
 - ✓ Use the wheel locks to prevent the trolley from inadvertently moving.
 - ✗ **DO NOT** leave unattended, especially when loaded, unless the wheels are locked, chocked or the trolley otherwise secured.
 - ✗ **DO NOT** use trolley on uneven ground and **DO NOT** run over curbs or steps - use a ramp.
 - ✗ **DO NOT** use trolley if any part is significantly damaged, paying particular attention to the wheels.
 - ✓ Keep children and unauthorised persons away from the work area.

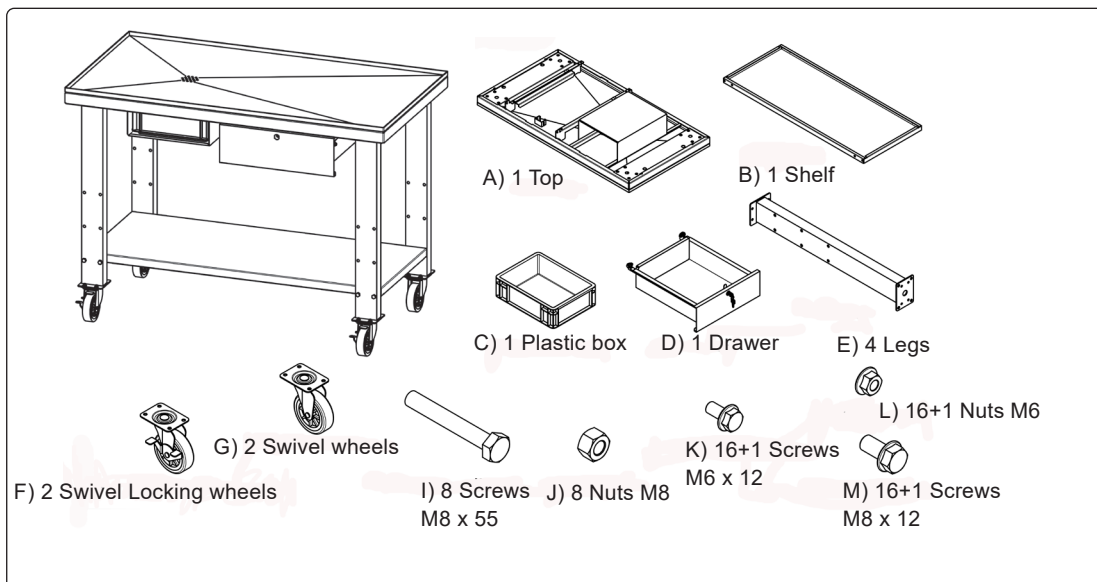
2. INTRODUCTION

Sturdy steel construction with powder coated finish to prevent corrosion. Angled worktop to one drain point makes this ideal for working on engines, transmissions, gearboxes or hydraulic systems. All fluids drain into a removable polyethylene container. Features height adjustable bottom shelf ideal for parts and tool storage, a lockable draw and four swivel castors, two of which are locking.

3. SPECIFICATION

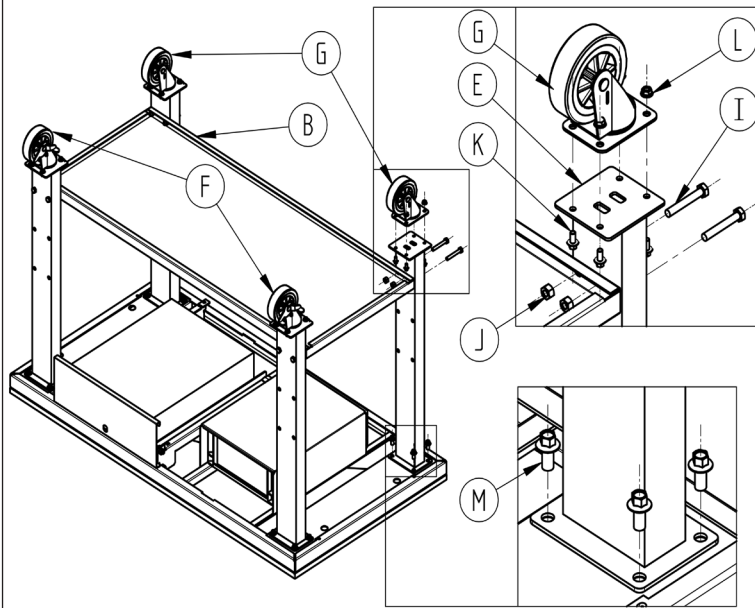
Model No.: AP1200MW.V2
 Overall Size: (W x D x H) 1205 x 640 x 872mm
 Worktable Size (W x D x H) 1195 x 635 x 10mm
 Large Drawer (x1) (W x D x H)..... 340 x 430 x 130mm
 Shelf Size (W x D x H) 1110 x 460 x 30mm
 Capacity 250kg.

4. CONTENTS

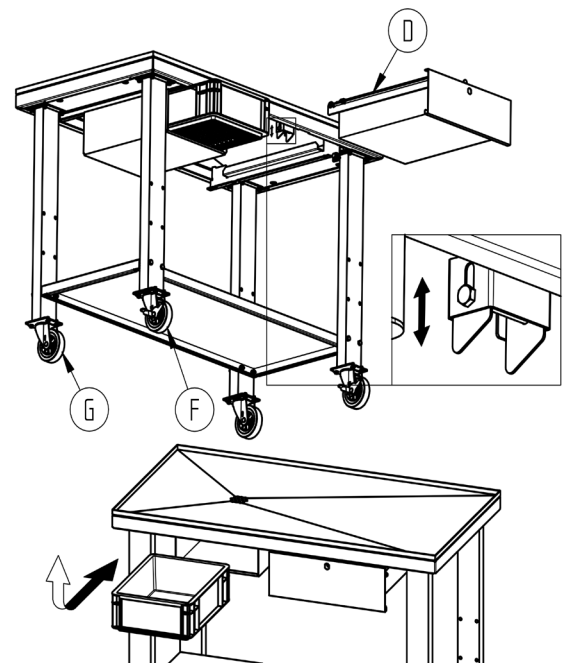


5. ASSEMBLY

Step 1



Step 2



NOTE: The height of the shelf (item B), can be adjusted to any one of the three locations using the nuts and bolts (item I and item J).

6. MAINTENANCE

- 6.1. Regular checks on the item will be required due to the nature of the service it is intended for.
- 6.2. Attention to be paid to swivel wheels to ensure stable, free and smooth rolling action.
- 6.3. Frame fixings to be checked and tightened regularly to ensure rigidity of structure.

Parts support is available for this product. To obtain parts please email sales@sealey.co.uk or telephone 01284 757500



ENVIRONMENT PROTECTION

Recycle unwanted materials instead of disposing of them as waste. All tools, accessories and packaging should be sorted, taken to a recycling centre and disposed of in a manner which is compatible with the environment. When the product becomes completely unserviceable and requires disposal, drain any fluids (if applicable) into approved containers and dispose of the product and fluids according to local regulations.

Note: It is our policy to continually improve products and as such we reserve the right to alter data, specifications and component parts without prior notice.

Important: No Liability is accepted for incorrect use of this product.

Warranty: Guarantee is 12 months from purchase date, proof of which is required for any claim.

Sealey Group, Kempson Way, Suffolk Business Park, Bury St Edmunds, Suffolk. IP32 7AR



01284 757500



01284 703534



sales@sealey.co.uk



www.sealey.co.uk