



INSTRUCTIONS FOR:  
**SPECIALIST PUSH & PULL RAM SET**  
**MODEL NO: RE97XCKIT**

Thank you for purchasing a Sealey product. Manufactured to a high standard, this product will, if used according to these instructions and maintained properly, give you years of trouble free performance.

**IMPORTANT: PLEASE READ THESE INSTRUCTIONS CAREFULLY. NOTE THE SAFE OPERATIONAL REQUIREMENTS, WARNINGS & CAUTIONS. USE THE PRODUCT CORRECTLY AND WITH CARE FOR THE PURPOSE FOR WHICH IT IS INTENDED. FAILURE TO DO SO MAY CAUSE DAMAGE AND/OR PERSONAL INJURY AND WILL INVALIDATE THE WARRANTY. KEEP THESE INSTRUCTIONS SAFE FOR FUTURE USE.**



Refer to Instruction Manual



Wear Eye Protection



Wear Protective Clothing



Wear Safety Footwear



Wear Protective Gloves

### 1. SAFETY

- WARNING! Ensure Health & Safety, local authority and general workshop practice regulations are adhered to when using this equipment.**
- ✓ Familiarise yourself with product application and limitations, as well as the specific hazards peculiar to the kit.
- WARNING! Disconnect the ram from the hydraulic pump before servicing or performing any maintenance on the unit.**
- ✓ Maintain kit in good order. Replace/repair with *genuine parts only*. *Unauthorised parts may be dangerous and will invalidate the warranty.*
- ✓ Use qualified person to lubricate and maintain the ram.
- ✓ Keep the kit clean for best and safest performance.
- WARNING! Ensure you know how much load you are pushing/pulling. Never exceed the maximum pushing/pulling capacity.**
- ✓ Use only with Sealey hydraulic pump and accessories. Wrong equipment may damage unit and invalidate your warranty.
- ✓ The kit accessories may be used with other popular makes of kit.
- ✓ We recommend the use of BS approved safety impact goggles and heavy duty gloves when working with this kit. Both are available from your authorised Sealey dealer.
- ✓ Ensure correct balance and footing. Ensure the floor is not slippery and wear non-slip shoes.
- ✓ If working on an 'off centre' load, pump with care. If you feel undue resistance, stop and re-adjust the set-up.
- WARNING! Keep your hands, body and clothing away from the kit and accessories when in use. Take any necessary precautions to protect your personal safety whilst using the kit.**
- Always be prepared for unexpected load movement, never place yourself or any part of your body in a position that could result in injury. Always use a crowbar or similar device to manoeuvre the load.**
- ✓ Ensure the hydraulic hose is not bent or kinked but laid out correctly. Avoid damage to the hose (e.g. crushing/cutting).
- ✓ Keep non-essential persons away from the operating area. Be aware of the locations of other persons assisting you.
- ✓ When releasing tension from the load be sure to undo the hydraulic valve VERY slowly.
- ✗ **DO NOT** operate the kit if any parts are damaged or missing as this may cause failure and/or personal injury.
- WARNING! DO NOT use for any purpose other than that for which it is designed.**
- ✗ **DO NOT** heat accessories as this may weaken them.
- ✗ **DO NOT** modify accessories for use with this kit.
- ✓ When not in use, place dust cap in end of hydraulic hose and store the kit, in the case, in a safe, dry, childproof location.

### 2. INTRODUCTION

Comprehensive set of mini, midi and maxi sized push and pull rams. Suitable for many applications including workshop, agricultural, industrial and construction where lifting, pushing, positioning, bending and holding of heavy loads may be required. Supplied in steel carry-case.

Use in conjunction with Hydraulic Pump and Hose (not included) from RE83 and RE97 Series Body Repair Kits, see catalogue.

Set features:

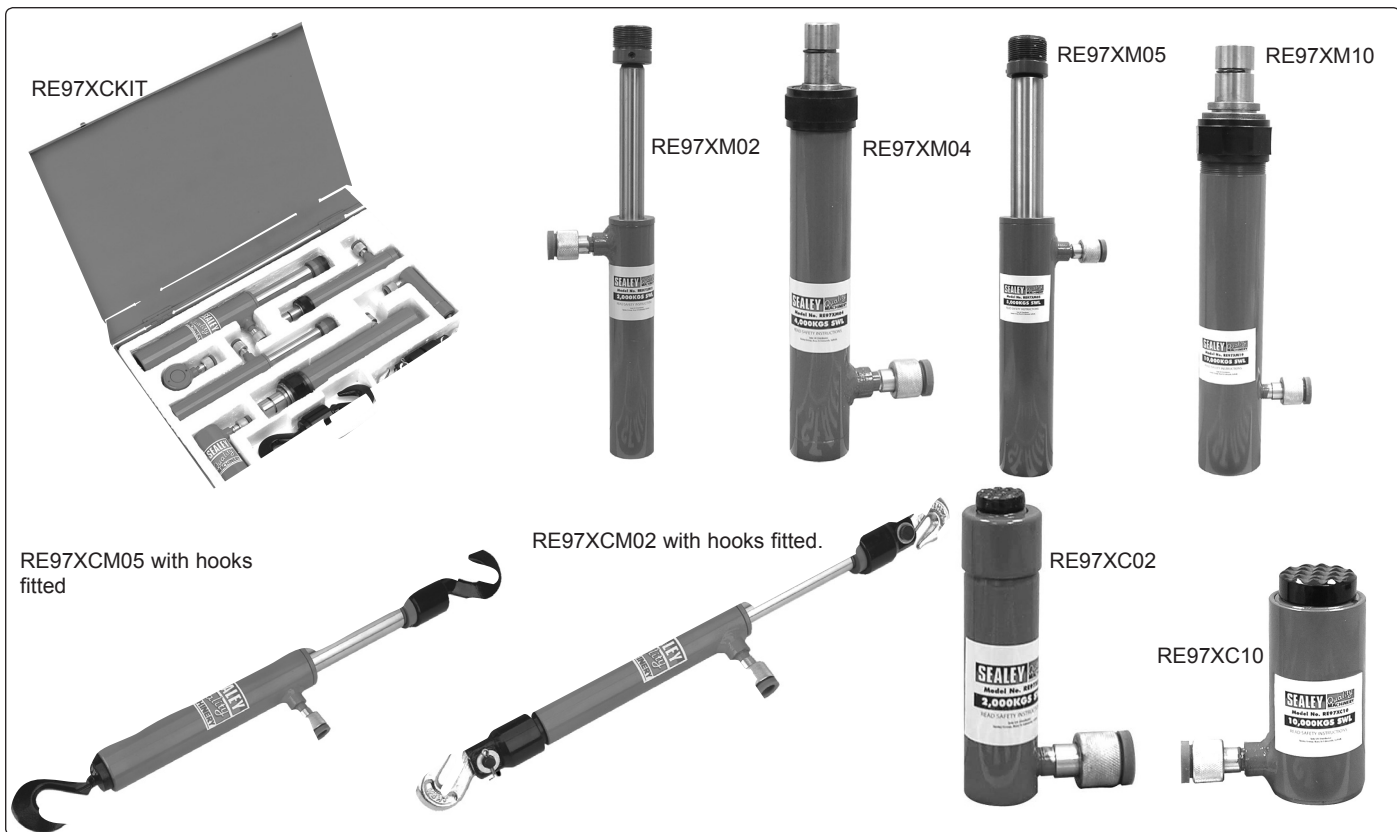
- High flow quick connecting couplers with dust caps on all components.
- Unique ram and cylinder bearings absorb eccentric load stresses in order to protect the cylinder against abrasion, over-extension and jamming.
- Chromed rams with polyurethane seals and wipers provide longer service life.
- Selected rams fitted with heavy-duty return spring.

### 3. CONTENTS & SPECIFICATION

Ram Model No:	Type:	Capacity:	Closed /Open Height:	Return Spring:
RE97XC02	Push	2000kg	139/240mm	No
RE97XC04	Push	4000kg	42/58mm	No
RE97XM04	Push	4000kg	275/405mm	Yes
RE97XC10	Push	10000kg	132/189mm	Yes
RE97XM10	Push	10000kg	350/500mm	Yes
RE97XM02	Pull	2000kg	422/550mm	Yes
RE97XM05	Pull	5000kg	520/650mm	Yes

Hook Model No. (-F = FEMALE THREAD, -M = MALE THREAD):

RE97XM02.H-F and RE97XM02.H-M 2Ton Capacity for RE97XM02 PULL RAM  
 RE97XM05.H-F and RE97XM05.H-M 5Ton Capacity for RE97XM05 PULL RAM



#### 4. OPERATION

- WARNING!** Ensure you have read and understood section 1 safety instructions.

**Note:** These instructions are intended to provide a guide to the basic operation of the kit and are in no way intended to replace the advice/instruction of a qualified specialist.

Only fully trained persons should use this equipment.

- 4.1. Remove plug from ram connector (retain plug to reseal connector after use).
- 4.2. Connect to suitable hydraulic pump (see section 3).
- 4.3. Position the ram as required and operate the pump.

**IMPORTANT:** Always store the ram with the piston fully retracted to help prevent corrosion (not applicable to pull rams, the pistons of which should be coated in jack oil before storage). Rams with signs of rust on the main piston cannot be replaced under warranty.

#### 5. MAINTENANCE

**IMPORTANT:** Only fully qualified personnel should attempt maintenance or repair to the hydraulic system.

- WARNING! DO NOT** use brake fluid, or any fluid other than hydraulic jack fluid, as this may cause serious damage to the ram and will invalidate the warranty. Use only Sealey hydraulic oil.

##### 5.1. General

Before each use check for broken, cracked, bent, or loose parts, or any visible damage to welds, ram, pump, hose and accessories. If any suspect item is found remove from service and take necessary action to remedy the problem.

Replace/repair with genuine parts only. Unauthorised parts may be dangerous and will invalidate the warranty.

Keep all parts of the kit clean - use only a mild detergent and a damp cloth. **DO NOT** use solvents.

**Note:** A small amount of oil around ram seal is normal - a thicker layer of oil may be deposited onto the ram initially, owing to the ram seals bedding in.

Hydraulic couplings will weep a small amount of oil, particularly if ram is under pressure when coupling is released - this is normal.

#### Environmental Protection



Recycle unwanted materials instead of disposing of them as waste. All tools, accessories and packaging should be sorted, taken to a recycling centre and disposed of in a manner which is compatible with the environment. When the product becomes completely unserviceable and requires disposal, drain off any fluids (if applicable) into approved containers and dispose of the product and the fluids according to local regulations.

**NOTE:** It is our policy to improve products continually and as such we reserve the right to alter data, specifications and component parts without prior notice.

**IMPORTANT:** No liability is accepted for incorrect use of this product.

**WARRANTY:** Guarantee is 12 months from purchase date, proof of which will be required for any claim.



Sole UK Distributor, Sealey Group,  
Kempson Way, Suffolk Business Park,  
Bury St. Edmunds, Suffolk,  
IP32 7AR



01284 757500

01284 703534



www.sealey.co.uk



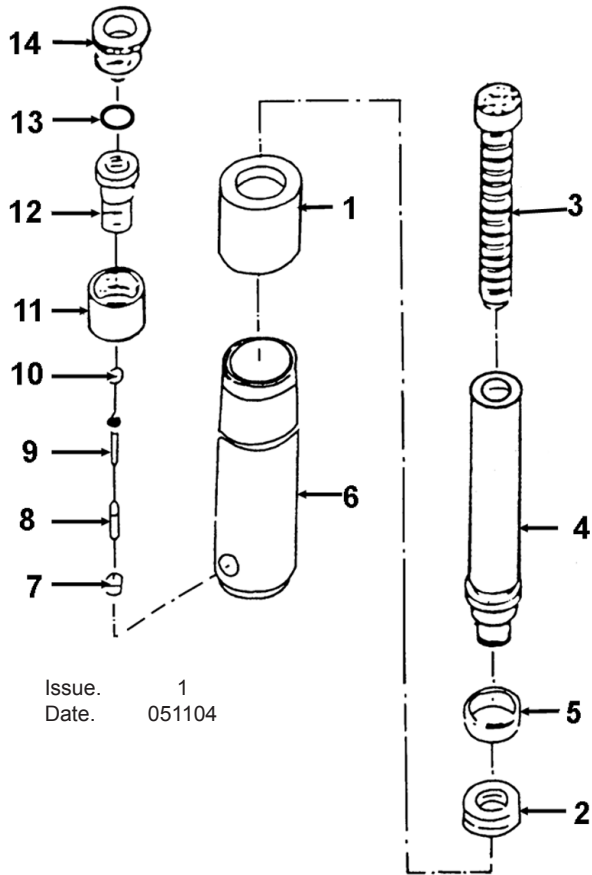
sales@sealey.co.uk

PARTS LIST:

**SPECIALIST PUSH AND PULL RAM SET**

Model: **RE97XCKIT**

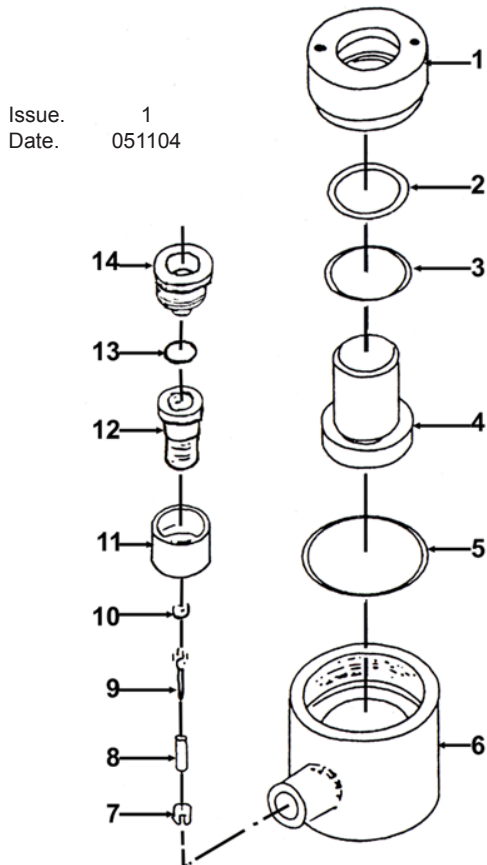
**RE97XC02**



Issue. 1  
Date. 051104

ITEM	PART NO	DESCRIPTION
1	RE97XC02.01	NUT
2	RE97XC02.02	SEAL RING
3	RE97XC02.03	SCREW
4	RE97XC02.04	RAM
5	RE97XC02.05	O-RING
6	RE97XC02.06	CYLINDER
7	RE97XC02.07	SPINDLE SCREW
8	RE97XC02.08	SPRING
9	RE97XC02.09	SPINDLE
10	RE97XC02.10	OIL RING
11	RE97XC02.11	CONNECTION NUT
12	RE97XC02.12	HOSE COUPLER
13	RE97XC02.13	O-RING
14	RE97XC02.14	DUST CAP

**RE97XC04**



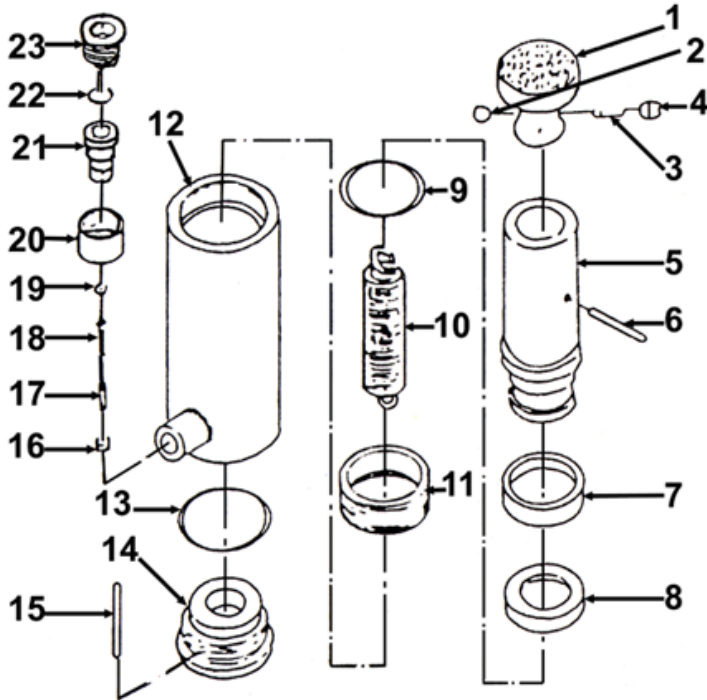
Issue. 1  
Date. 051104

ITEM	PART NO	DESCRIPTION
1	RE97XC04.01	NUT
2	RE97XC04.02	SEAL RING
3	RE97XC04.03	O-RING
4	RE97XC04.04	RAM
5	RE97XC04.05	O-RING
6	RE97XC04.06	CYLINDER
7	RE97XC04.07	SPINDLE SCREW
8	RE97XC04.08	SPRING
9	RE97XC04.09	SPINDLE
10	RE97XC04.10	OIL RING
11	RE97XC04.11	CONNECTION NUT
12	RE97XC04.12	HOSE COUPLER
13	RE97XC04.13	O-RING
14	RE97XC04.14	DUST CAP

PARTS LIST:

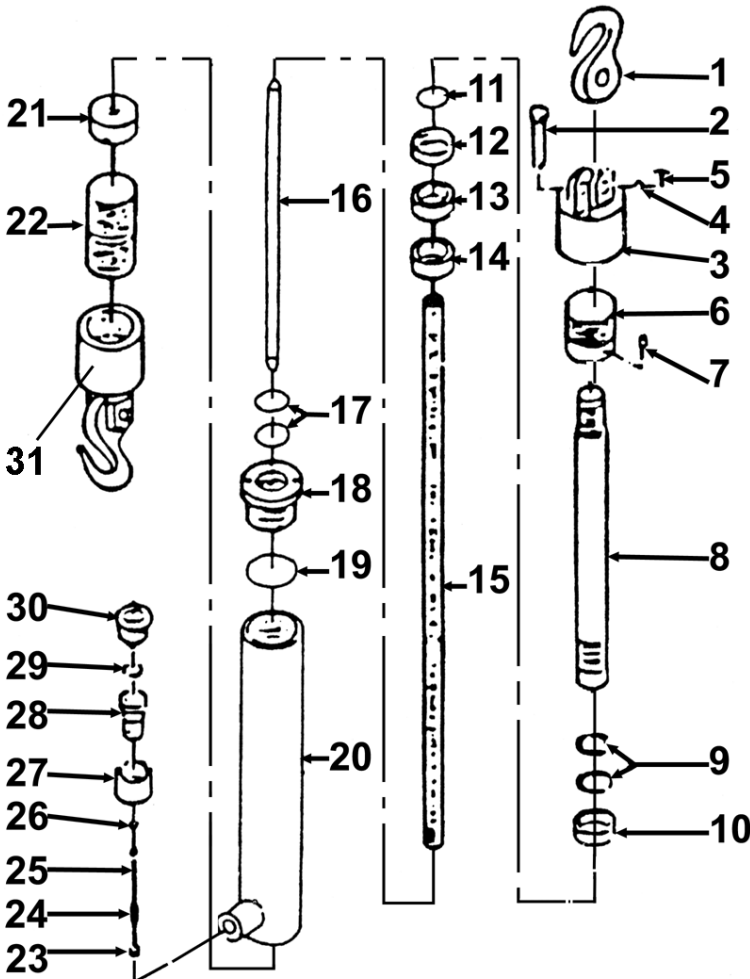
**SPECIALIST PUSH AND PULL RAM SET**

Model: **RE97XCKIT**



**RE97XC10**

ITEM	PART NO	DESCRIPTION
1	RE97XC10.01	RAMMER
2	RE97XC10.02	STEEL BALL
3	RE97XC10.03	SPRING
4	RE97XC10.04	SCREW
5	RE97XC10.05	RAM
6	RE97XC10.06	PIN
7	RE97XC10.07	GUIDING COLLAR
8	RE97XC10.08	CAP (NYLON)
9	RE97XC10.09	O-RING
10	RE97XC10.10	SPRING
11	RE97XC10.11	NUT
12	RE97XC10.12	CYLINDER
13	RE97XC10.13	O-RING
14	RE97XC10.14	COVER NUT
15	RE97XC10.15	PIN
16	RE97XC10.16	SPINDLE SCREW
17	RE97XC10.17	SPRING
18	RE97XC10.18	SPINDLE
19	RE97XC10.19	OIL RING
20	RE97XC10.20	CONNECTION NUT
21	RE97XC10.21	HOSE COUPLER
22	RE97XC10.22	O RING
23	RE97XC10.23	DUST CAP



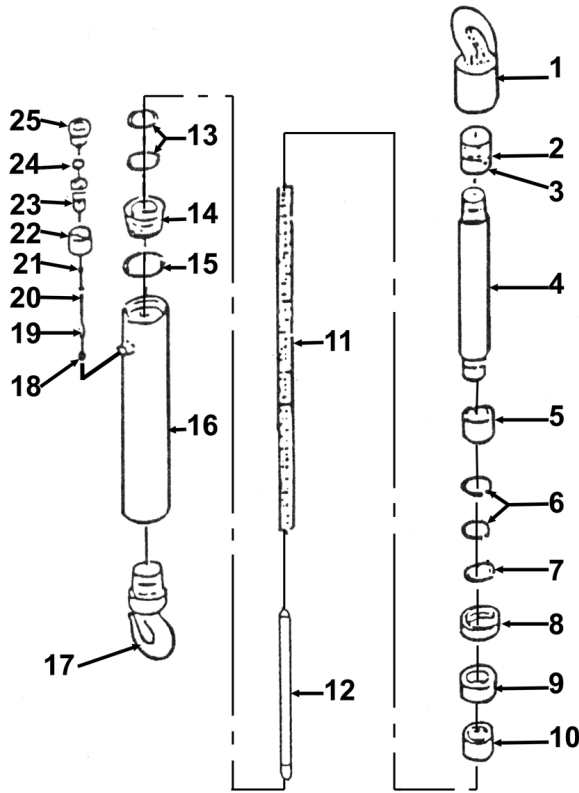
**RE97XM02**

ITEM	PART NO	DESCRIPTION
1	RE97XM02.01	HOOK
2	RE97XM02.02	AXLE PIN
3	RE97XM02.03	COUPLING FORG
4	RE97XM02.04	COLLAR
5	RE97XM02.05	SPLIT PIN
6	RE97XM02.06	NUT
7	RE97XM02.07	SCREW
8	RE97XM02.08	RAM
9	RE97XM02.09	CLOSING RING
10	RE97XM02.10	CARRIER RING
11	RE97XM02.11	O-RING
12	RE97XM02.12	U-TYPE PACKING
13	RE97XM02.13	GUIDING COLLAR
14	RE97XM02.14	NUT
15	RE97XM02.15	SPRING
16	RE97XM02.16	SHAFT
17	RE97XM02.17	O-RING
18	RE97XM02.18	NUT
19	RE97XM02.19	O-RING
20	RE97XM02.20	CYLINDER
21	RE97XM02.21	NUT
22	RE97XM02.22	SCREW COUPLER
23	RE97XM02.23	SPINDLE SCREW
24	RE97XM02.24	SPRING
25	RE97XM02.25	SPINDLE
26	RE97XM02.26	OIL RING
27	RE97XM02.27	CONNECTION NUT
28	RE97XM02.28	HOSE COUPLER
29	RE97XM02.29	O-RING
30	RE97XM02.30	DUST CAP
31	RE97XM02.H-F	HOOK, FEMALE
32	RE97XM02.H-M	HOOK, MALE

PARTS LIST:

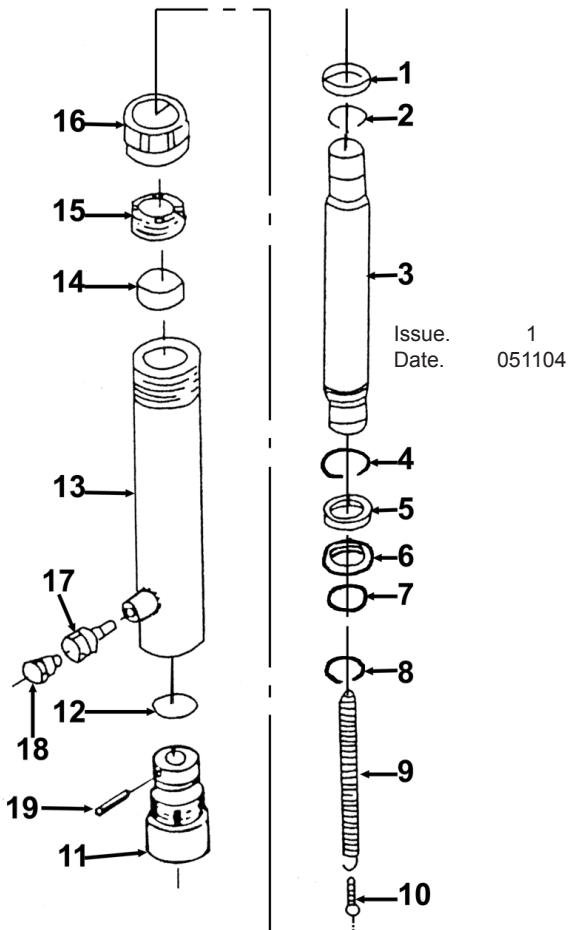
**SPECIALIST PUSH AND PULL RAM SET**

Model: **RE97XCKIT**



**RE97XM05**

ITEM	PART NO	DESCRIPTION
1	RE97XM05.H-F	HOOK, FEMALE
2	RE97XM05.02	NUT
3	RE97XM05.03	HEX SCREW
4	RE97XM05.04	RAM
5	RE97XM05.05	BUSHING
6	RE97XM05.06	CLOSING RING
7	RE97XM05.07	O-RING
8	RE97XM05.08	U-TYPE PACKING
9	RE97XM05.09	COLLAR
10	RE97XM05.10	NUT
11	RE97XM05.11	SPRING
12	RE97XM05.12	SHAFT
13	RE97XM05.13	O-RING
14	RE97XM05.14	NUT
15	RE97XM05.15	O-RING
16	RE97XM05.16	CYLINDER
17	RE97XM05.H-M	HOOK, MALE
18	RE97XM05.18	SPINDLE SCREW
19	RE97XM05.19	SPRING
20	RE97XM05.20	SPINDLE
21	RE97XM05.21	OIL RING
22	RE97XM05.22	CONNECTION NUT
23	RE97XM05.23	HOSE COUPLER
24	RE97XM05.24	O-RING
25	RE97XM05.25	DUST CAP



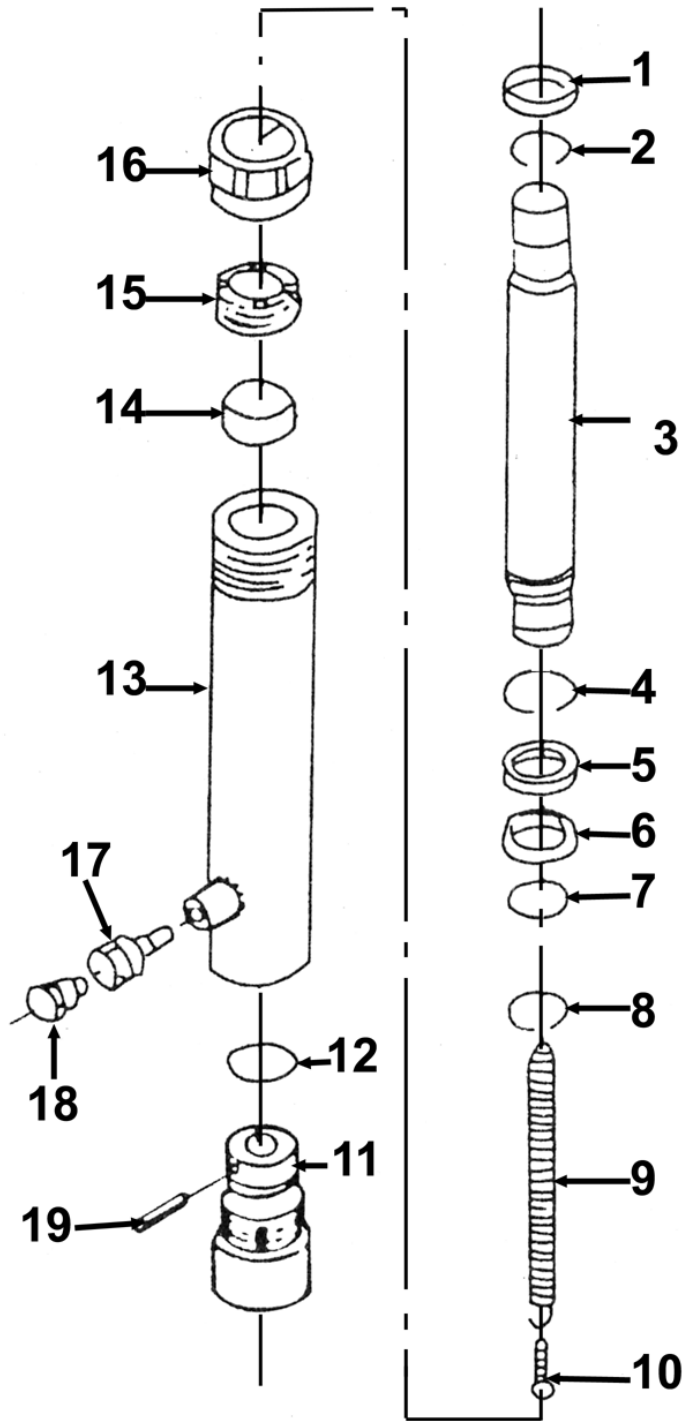
**RE97XM04**

ITEM	PART NO	DESCRIPTION
1	RE97XM04.01	COLLAR
2	RE97XM04.02	SNAP RING
3	RE97XM04.03	PISTON ROD
4	RE97XM04.04	SNAP RING
5	RE97XM04.05	BUSHING
6	RE97XM04.06	"U" CUP
7	RE97XM04.07	O-RING
8	RE97XM04.08	SNAP RING
9	RE97XM04.09	SPRING
10	RE97XM04.10	SCREW
11	RE97XM04.11	CYLINDER BASE
12	RE97XM04.12	O-RING
13	RE97XM04.13	CYLINDER
14	RE97XM04.14	CYLINDER COLLAR
15	RE97XM04.15	CYLINDER SCREW
16	RE97XM04.16	THREAD PROTECTOR
17	RE97XM04.17	QUICK COUPLER
18	RE97XM04.18	DUST COVER
19	RE97XM04.19	SPRING PIN

PARTS LIST:

**SPECIALIST PUSH AND PULL RAM SET**

Model: **RE97XCKIT**



Issue. 1  
Date. 051104

**RE97XM10**

ITEM	PART NO	DESCRIPTION
1	RE97XM10.01	COLLAR
2	RE97XM10.02	SNAP RING
3	RE97XM10.03	PISTON ROD
4	RE97XM10.04	SNAP RING
5	RE97XM10.05	BUSHING
6	RE97XM10.06	"U" CUP
7	RE97XM10.07	O-RING
8	RE97XM10.08	SNAP RING
9	RE97XM10.09	SPRING
10	RE97XM10.10	SCREW
11	RE97XM10.11	CYLINDER BASE
12	RE97XM10.12	O-RING
13	RE97XM10.13	CYLINDER
14	RE97XM10.14	CYLINDER COLLAR
15	RE97XM10.15	CYLINDER SCREW
16	RE97XM10.16	THREAD PROTECTOR
17	RE97XM10.17	QUICK COUPLER
18	RE97XM10.18	DUST COVER
19	RE97XM10.19	SPRING PIN