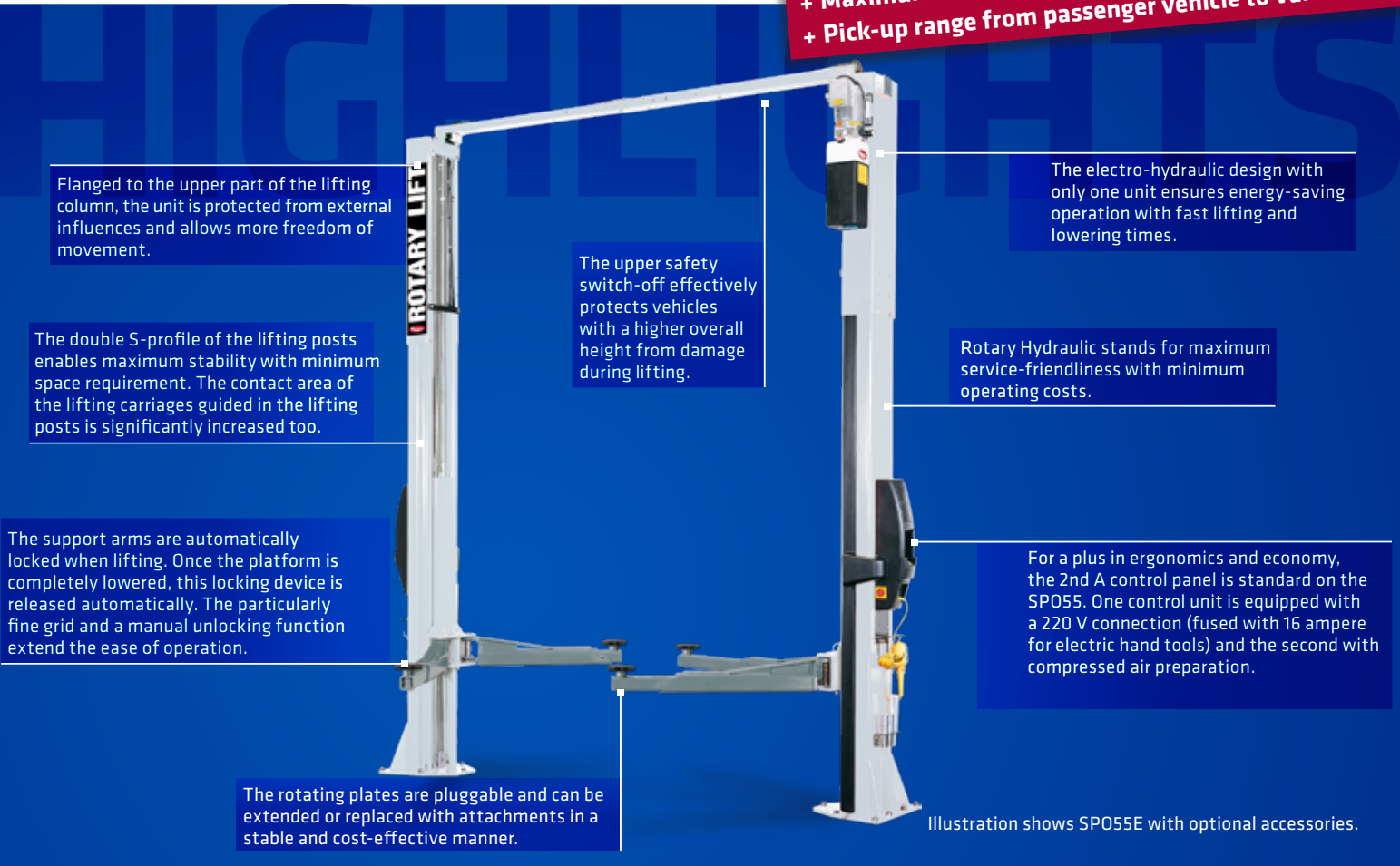


# 2-POST LIFT

## ELECTRO-HYDRAULIC

The electro-hydraulic 2-post lifts of the SPO55 series convince with an outstanding pick-up area, they are particularly suitable for van workplaces. There are 4 different post heights to choose from.

**+ SPO series - the best-selling lift in the world**  
**+ Maximum security with the Rotary 3PSS concept**  
**+ Pick-up range from passenger vehicle to van**



Flanged to the upper part of the lifting column, the unit is protected from external influences and allows more freedom of movement.

The double S-profile of the lifting posts enables maximum stability with minimum space requirement. The contact area of the lifting carriages guided in the lifting posts is significantly increased too.

The support arms are automatically locked when lifting. Once the platform is completely lowered, this locking device is released automatically. The particularly fine grid and a manual unlocking function extend the ease of operation.

The rotating plates are pluggable and can be extended or replaced with attachments in a stable and cost-effective manner.

The upper safety switch-off effectively protects vehicles with a higher overall height from damage during lifting.

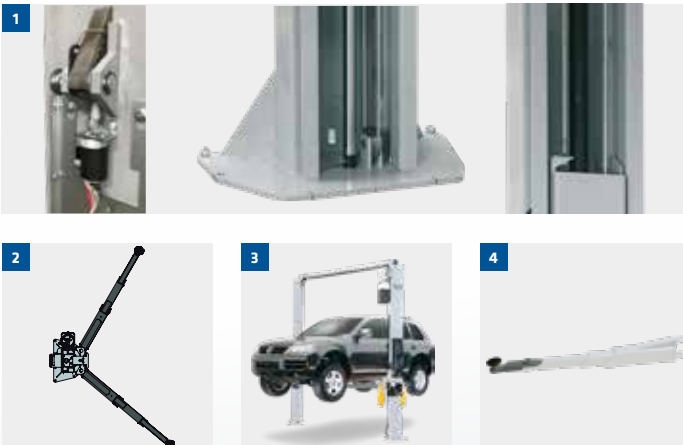
The electro-hydraulic design with only one unit ensures energy-saving operation with fast lifting and lowering times.

Rotary Hydraulic stands for maximum service-friendliness with minimum operating costs.

For a plus in ergonomics and economy, the 2nd A control panel is standard on the SPO55. One control unit is equipped with a 220 V connection (fused with 16 ampere for electric hand tools) and the second with compressed air preparation.

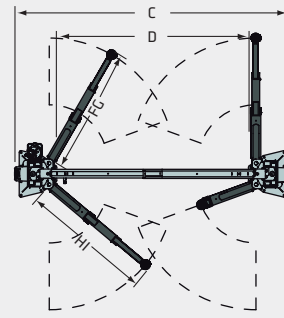
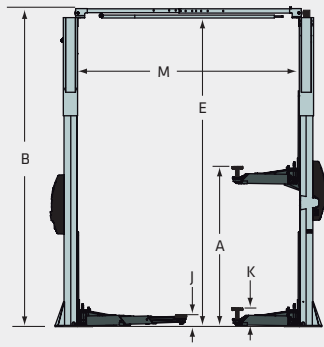
Illustration shows SPO55E with optional accessories.

## HIGHLIGHTS IN DETAIL



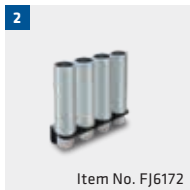
- 1** The 3PSS concept (3 Phase Security System) includes:
  - Mechanical safety latches integrated on both sides with automatic actuation
  - Load-free synchronization pulleys secure the load during the lifting and lowering process
  - Hydraulic system secured by non-return valve including maintenance-free high-pressure cylinder in both posts.
- 2** The well-conceived support arm construction allows both symmetrical and asymmetrical pick-up of the vehicles - without repositioning.
- 3** The maximum drive-through width with minimum external dimensions and the construction without a base frame ensure problem-free access to the lifting platform.
- 4** By using the optional AE250 support arm extension, long vans can also be picked up at the points recommended by the manufacturer.

**SPO55E**



Model	SPO55E-GR	SPO55E-EH1GR	SPO55E-EH2GR	SPO55E-EH4GR
Load capacity	5.500 kg	5.500 kg	5.500 kg	5.500 kg
<b>A</b> Stroke	1.981 mm	1.981 mm	1.981 mm	1.981 mm
<b>B</b> Overall height	4.170 mm	4.475 mm	4.780 mm	5.432 mm
<b>C</b> Overall width	3.496 mm	3.496 mm	3.496 mm	3.496 mm
<b>D</b> Drive-through width	2.607 mm	2.607 mm	2.607 mm	2.607 mm
<b>E</b> Switchoff level	4.065 mm	4.360 mm	4.675 mm	5.327 mm
<b>F</b> Support bracket length on the front min.	790 mm	790 mm	790 mm	790 mm
<b>G</b> Support bracket length on the front max.	1.700 mm	1.700 mm	1.700 mm	1.700 mm
<b>H</b> Support bracket length on the rear min.	790 mm	790 mm	790 mm	790 mm
<b>I</b> Support bracket length on the rear max.	1.700 mm	1.700 mm	1.700 mm	1.700 mm
<b>J</b> Rotary plate height min.	118 mm	118 mm	118 mm	118 mm
<b>K</b> Rotary plate height max.	178 mm	178 mm	178 mm	178 mm
<b>M</b> Clear span between	2.916 mm	2.916 mm	2.916 mm	2.916 mm
Driving power	3 kW	3 kW	3 kW	3 kW
Power supply voltage (electrical)	230/400 V, 50 Hz	230/400 V, 50 Hz	230/400 V, 50 Hz	230/400 V, 50 Hz
Lifting time	ca. 60 sec.	ca. 60 sec.	ca. 60 sec.	ca. 60 sec.
Required ceiling height	4.230 mm	4.535 mm	4.840 mm	5.492 mm

# ACCESSORIES



- 1 Rotary plate extension kit, 4 x 89mm, 4 x 127mm, incl. 2 brackets for mounting to the posts
- 2 Rotary plate extension kit, 4 x 200 mm, incl. bracket for mounting to the posts
- 3 Storage tray for tools (magnetic), 240 x 140 mm
- 4 Vehicle securing for rotary plate, ø 120 mm
- 5 Mounting kit, for delivery/small vans, 4 x U-pick-up
- 6 Mounting kit, 2x for Sprinter/Crafter (mandrel short in front)
- 7 Vehicle safety catch adapter FJ6210C (1 kit/ 2 pieces) for rotary plate ø 120mm (1 kit/ 2 pieces)
- 8 Support arm extension kit, 250 mm
- 9 Mounting kit, for Mercedes G series

