

application videos



Tool Box RS-03

Item no. 700200

**BMW**

A1	A2	D1	D2	E1	E2
x1	x1	x1	x1	x1	x1
Ø 5.2 mm		Ø 3 mm		Ø 5 mm	

inclusive:

**F1 Z4**

SSC 35/25

SSC 40/25



Tool Box RS-06

Item no. 700193

**JAGUAR LAND ROVER**

A4	A6	BL6	C1	C2	C16	C17	C18	C21	E3
x1	x1	x1	x1	x1	x1	x1	x1	x1	x1
Ø 9 mm		6 mm	Ø 6 mm		6 mm				Ø 4.7 mm

J1	K1	K2	K5
x2	x1	x1	x1
6 mm	Ø 6 mm		6 mm

inclusive:

**F1 Z4**



SKR  
6 mm

centre punch



SSC 35/25

SSC 40/25



Tool Box Punch Kit | Ø 6.7 mm

Item no. 700143

K1	B67
x1	x1
Ø 6.7 mm	

inclusive:



SKR  
6.7 mm



## Tool Box RS-07

Item no. 700205

### MERCEDES-BENZ

V1	V2	B3	B4	B7	G1	B5	B6	B8	G2
x1	x1	x1	x1	x1	x1	x1	x2	x1	x1
Ø 4 mm		Ø 6 mm				Ø 8 mm			
C1	C2	C3	C4	C5	K1	K2	K3	K4	A4
x1	x1	x1	x1	x1	x1	x1	x1	x1	x1
Ø 6 mm		Ø 8 mm		8 mm	Ø 6 mm		Ø 8 mm		

inclusive:

**F3 Z1 Z4**  SKR 6 mm  SKR 8 mm



## Tool Box RS-08


Item no. 700206

### TESLA

A4	B5	B6	B8	G2	C3	C4	C5	K3	K4
x1	x1	x1	x1	x1	x1	x1	x1	x1	x1
Ø 8 mm				Ø 8 mm			Ø 8 mm		

**E1**  
x1  
5.3mm

inclusive:

**F1 F3 F5 Z1 Z4**  SKR 8 mm

## Tool Box RS-08XP

designed for XPac - Page 11

SSC 35/25

SSC 40/25

PushPull PP 90



## Tool Box RS-09

Item no. 700195

### FORD

A4	BL8	C10	C11	C12	C13	C14	C15	C19	C20
x1	x1	x1	x1	x1	x1	x1	x1	x1	x1
Ø 8 mm									

inclusive:

**F1 Z4**

SSC 35/25

SSC 40/25



Tool Box RS-10

Item no. 700208

General Motors

A4	B6	C1	C2	C16	K5	B3	B4	B7	G1
x2	x1	x1	x1	x1	x1	x1	x2	x1	x1
Ø 8 mm		Ø 6 mm			6 mm	Ø 6 mm			

K1	K2
x2	x2
Ø 6 mm	

inclusive:

**F3 Z1 Z4**  SKR 6 mm



Tool Box RS-11

Item no. 700209

TESLA

E1	T1	T2	T3	T4	T5	T6	T7	T8
x1	x1	x1	x1	x1	x1	x1	x1	x1
Ø 5 mm								

inclusive:

**F1 Z4**



Tool Box RS-12

Item no. 700210

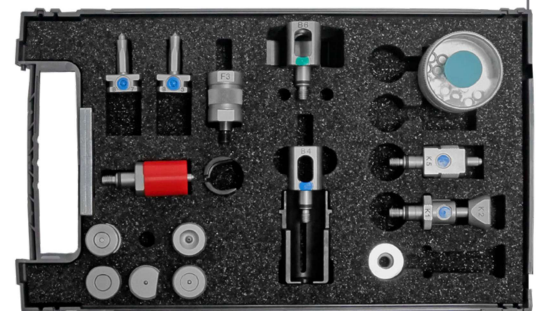
NIO

A5	B6	B3	B4	B7	G1	C1	C2	C16	K5
x1	x1	x1	x1	x1	x1	x1	x1	x1	x1
Ø 8 mm		Ø 6 mm			Ø 6 mm		6 mm	6 mm	

E1	E2	K1	K2
x1	x1	x1	x1
Ø 5 mm		Ø 6 mm	

inclusive:

**F3 Z1 Z4**  SKR 6 mm 



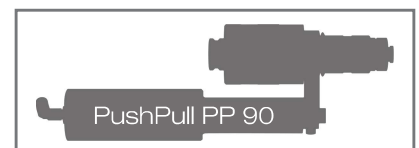
Tool Box RS-14 | self-piercing rivets add-on set

Item no. 700212

D1	D2	E1	E2
x1	x1	x1	x1
3 mm		5 mm	

inclusive:

**F4 Z4**





## Tool Box RS-15

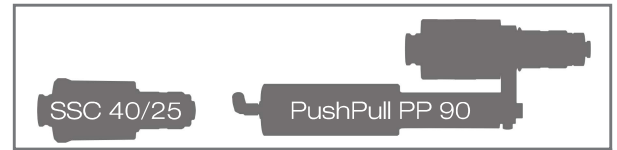
Item no. 700191

### LUCID MOTORS

B3	B4	B7	G1	A5	B6	BL6	BL8
x1	x2	x1	x1	x2	x1	x1	x1
Ø 6 mm			Ø 8 mm		6 mm	8 mm	
C1	C2	C16	K1	K2	K5		
x1	x1	x1	x1	x1	x1		
Ø 6 mm		6 mm	Ø 6 mm		6 mm		

inclusive:

**F1 F3 Z1 Z4**  SKR 6 mm centre punch 



## Tool Box RS-16SSC

Item no. 700190

A4	BL8	C3	C4	C5	K3	K4
x1	x1	x1	x1	x1	x1	x1
8 mm		Ø 8 mm			Ø 8 mm	

inclusive:

**F1 Z4**  SKR 8 mm

SSC 40/25



## Tool Box RS-16PP

Item no. 700189










A4	B5	B6	B8	G2	K1	B67
x1	x1	x2	x1	x1	x1	x1
Ø 8 mm					Ø 6.7 mm	
C3	C4	C5	K3	K4		
x1	x1	x1	x1	x1		
Ø 8 mm			Ø 8 mm			











inclusive:










**F3 Z1 Z4**  SKR 6.7 mm  SKR 8 mm

PushPull PP 90




















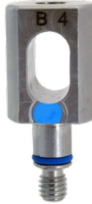


						4.7 mm	4.7 mm		
									
<b>C10</b>	<b>C11</b>	<b>C12</b>	<b>C13</b>	<b>C14</b>	<b>C15</b>	<b>C17</b>	<b>C18</b>	<b>C19</b>	<b>C20</b>
700537	700538	700541	700542	700539	700540	700891	703051	703226	703224

4.7 mm	3 mm	3 mm	5 mm	5 mm	4.7 mm	3.2 mm	3.2 mm	5.3 mm	5.3 x 5.5 mm
									
<b>C21</b>	<b>D1</b>	<b>D2</b>	<b>E1</b>	<b>E2</b>	<b>E3</b>	<b>S2</b>	<b>S3</b>	<b>S6</b>	<b>S7</b>
703232	700332	700262	700260	700261	700336	700263	700822	700821	700824

5.3 x 6.5 mm	5 mm	5 mm	5 mm	5 mm	5 mm	5 mm	5 mm	5 mm	4 mm
									
<b>S8</b>	<b>T1</b>	<b>T2</b>	<b>T3</b>	<b>T4</b>	<b>T5</b>	<b>T6</b>	<b>T7</b>	<b>T8</b>	<b>D8</b>
700823	700360	700366	700361	700362	700363	700364	700365	700367	700813

4 mm	6 mm	6 mm	6 mm	6 mm	6 mm	8 mm	8 mm	8 mm	4 mm
									
<b>D9</b>	<b>D17</b>	<b>2 x J1</b>	<b>C16</b>	<b>C1</b>	<b>C2</b>	<b>C3</b>	<b>C4</b>	<b>C5</b>	<b>V1</b>
700811	700810	700248	700448	700256	700257	700266	700267	700276	700333

4 mm	5.2 mm	5.2 mm			9 mm	6 mm	8 mm	3.2-5.0 mm	5 mm
									
<b>V2</b>	<b>A1</b>	<b>A2</b>	<b>A4</b>	<b>A5</b>	<b>A6</b>	<b>BL6</b>	<b>BL8</b>	<b>D3</b>	<b>D4</b>
700277	700250	700251	700341	700369	700895	703222	703221	700800	700799

5.3 x 7.5 mm	5.3 x 7.5 mm	3.2 mm	3.2 mm	3.2 mm	5.3 x 5.5 mm	5.3 x 6.5 mm	6 mm	8 mm	5 mm
									
<b>D13</b>	<b>D14</b>	<b>D18</b>	<b>D19</b>	<b>S1</b>	<b>S4</b>	<b>S5</b>	<b>B4</b>	<b>B6</b>	<b>D5</b>
700812	700808	700804	700806	700795	700796	700798	700264	700270	700816

6 mm	6 mm	8 mm	6 mm	8 mm	6.7 mm	8 mm	6 mm	8 mm	4 mm
									
<b>K5</b>	<b>B3</b>	<b>B5</b>	<b>B7</b>	<b>B8</b>	<b>B67</b>	<b>D12</b>	<b>G1</b>	<b>G2</b>	<b>D10</b>
700449	700343	700344	700345	700342	700386	700820	700273	700268	700814


4 mm	4.8 mm	4.8 mm	6 mm	6 mm	6 mm	6 mm	8 mm	8 mm
								
<b>D11</b>	<b>D6</b>	<b>D7</b>	<b>D15</b>	<b>D16</b>	<b>K1</b>	<b>K2</b>	<b>K3</b>	<b>K4</b>
700827	700815	700806	700826	700809	700319	700297	700318	700298

**32 mm extension F1**  
Item no. 700220



for all riveting processes in combination with the **short-stroke cylinder SSC 35/25** and **short-stroke cylinder SSC 40/25**

**26 mm extension F3**  
Item no. 700337




for all riveting processes in combination with the **PushPull Zylinder PP90**

**28 mm extension F4**  
Item no. 700442



for all riveting processes in combination with the **Tool Box RS-14**

**28 mm adapter Böllhof F5**  
Item no. 700443



for all riveting processes in combination with the **Böllhof dies**

**assembling tool Z4**  
Item no. 700299



**coupling PushPull Z1**  
Item no. 700280

A coupling used to connect the punching dies **B3**, **B5**, **B7** and **B8** to the PushPull cylinder.



**Special Center Punch with 2 functions**  
Item no. 628006

Function no 1: to mark the rivets at the top side of the rivet  
Function no 2: to mark the rivets at the bottom side of the rivet  
**The special center punch is self-centering.**

